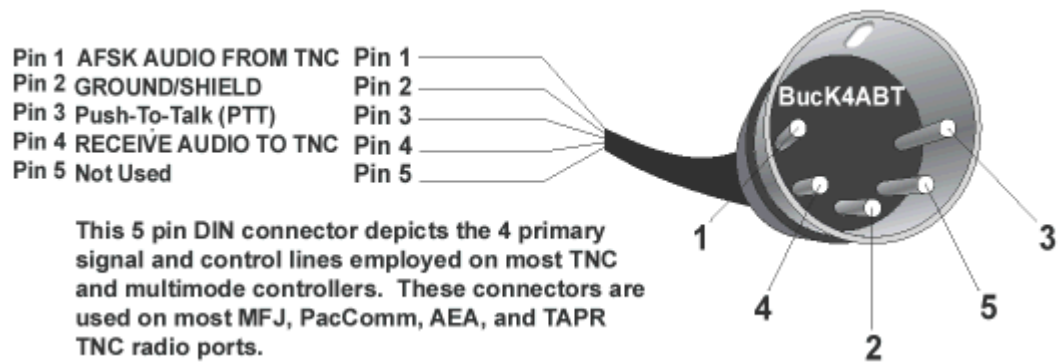


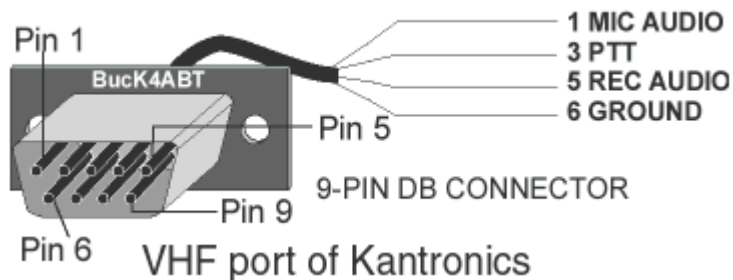
# Packet Radio 101

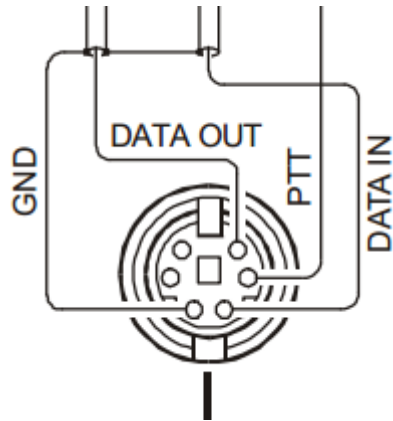
## What and how to connect your radio to your computer

- There are 4 connections to connect your radio to a TNC or sound card interface.
  - Ground: this is for ptt and audio
  - PTT: This puts the radio into transmit mode
  - Audio
    - Audio in or speaker: this is the audio coming from your radio for the TNC or sound card to decode
    - Audio out or mic audio: this is the audio coming from the TNC or sound card to your radio
- Once this is understood, connecting the radio to your computer is easy!
- Common wiring diagrams:
  - TNC2 5 pin DIN:



- KPC DB9:



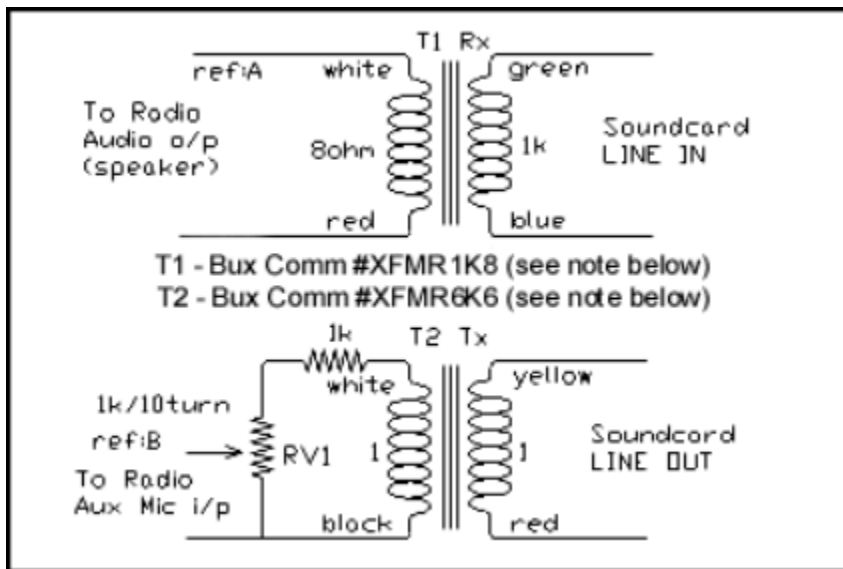


- Standard 6 pin mini-din:

Now we wire up a TNC to radio: Tom, K5LZP's KAM XL to his FT-8800R

Sound Card design:

- Basic design courtesy of WM2U



Advanced sound card interface: Signalink USB